

## **Stairklad**

Fitting  
Instructions

**Easy to install**

**Lacquered**

**Real oak veneer**

**Rounded front nosing**

# Important Information

The following instructions are for installing the Cheshire Mouldings **Stairklad Range** of products.

---

**This range is suitable for staircases with max riser height of 200mm.**

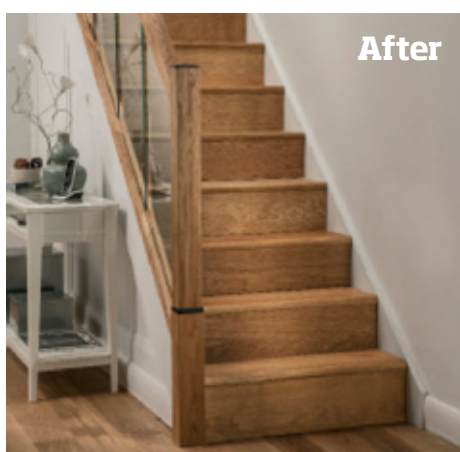
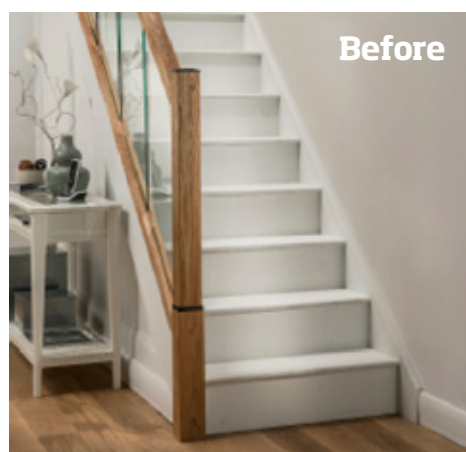
---

If your stairs has balustrading on both sides, you may have to remove one side of balustrade in order to install Stairklad.

All components should be inspected BEFORE installation commences for any damage and to check all items are correct before installation. While care is taken to match our engineered timber products, timber is a natural product where the colour, grain structure, can vary.

We do not recommend the use of a sharp blade to open the packaging as this may damage the product

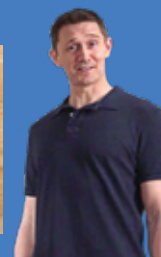
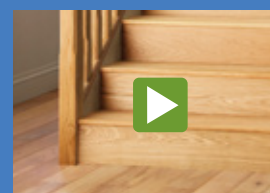
While we do everything possible to ensure the information contained within these fitting instructions are correct, they are only a general guide, every situation is different. Please read through the fitting instructions fully before commencing any fitting. Cheshire Mouldings will not be held responsible for any mistakes made through incorrect fitting. You will need to take extra care when installing pre-finished components and some touching up will undoubtedly be necessary around the cut areas etc.



**See how stair flooring  
can transform your stairs**

Watch our video online

[www.cheshiremouldings.co.uk/  
products/stair-parts/stairklad](http://www.cheshiremouldings.co.uk/products/stair-parts/stairklad)



# Straight Stairs

Before you start, ensure that all tread surfaces are clean, dry and free from uneven surface defects. These can be sanded away if necessary.

**Fig 1** shows terminology and location for tread & riser kit.

First, measure the existing tread nosing protrusion (**Fig 2**). Use this measurement to cut some packing strips down to size. You are going to need 2 packing strips per riser.

Screw packing strips into place on all existing risers (**Fig 3**).

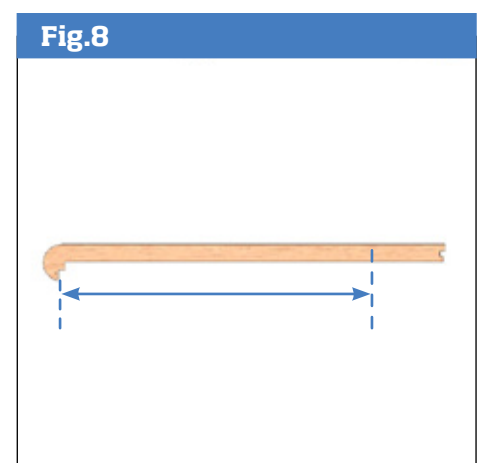
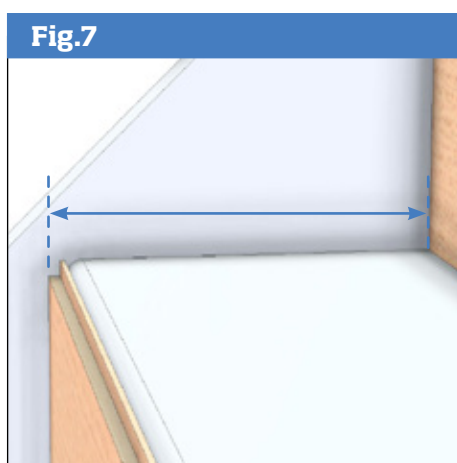
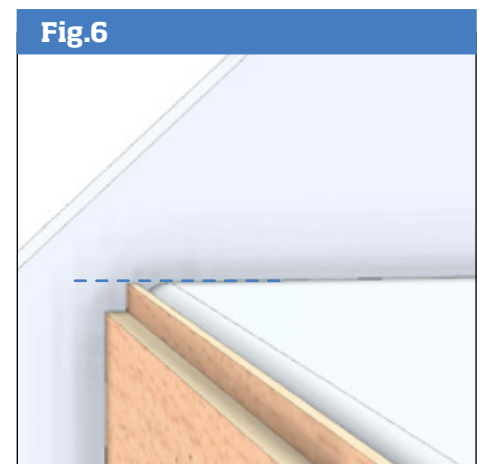
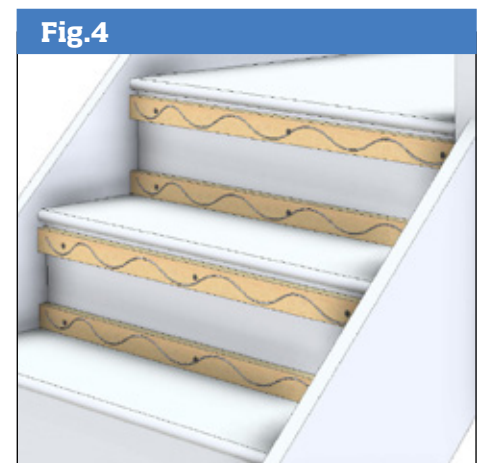
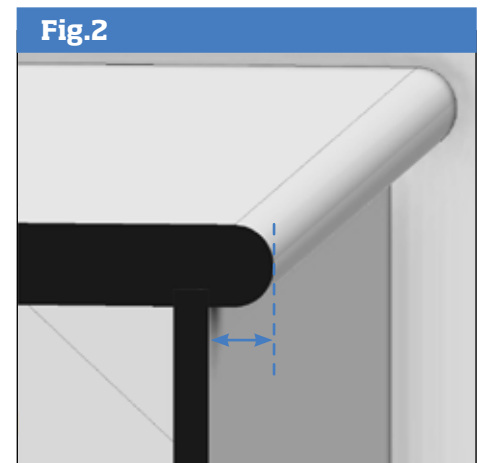
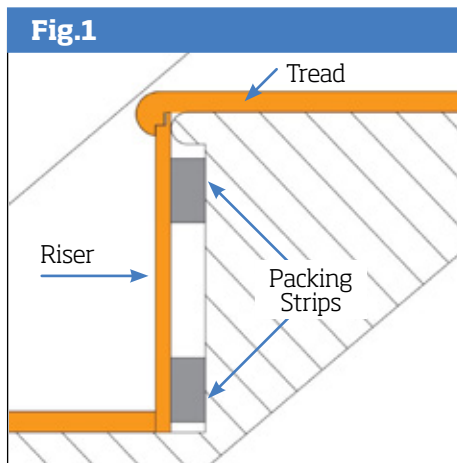
Starting from the top of the stairs, measure and cut two Stairklad risers down to size. Offer up to stairs to check fit.

Apply beads of Polymer Adhesive to the packing strips (**Fig 4**).

Press the risers onto the glued packing strips (**Fig 5**). This is a temporary holding fix as the risers will also be held in position by the treads. Ensure that the top lip of the riser is flush with top of existing tread (**Fig 6**).

Measure and cut tread to correct length. For depth, measure distance from front of riser to front of riser (**Fig 7**).

Transfer measurement to tread and cut to size (**Fig 8**).



After checking the fit, apply plenty of Polymer Adhesive in an even bead to top of existing tread. Offer tread into position and press firmly down into place ensuring the lip and recess fit together snugly (**Fig 9**). First step is now completed (**Fig 10**).

If you have a straight flight of stairs, repeat procedure for remaining steps.

### Stairs with Quarter Landing

For stairs with a quarter landing turn, after the riser has been installed to the front of the turn, measure distance from string to riser and cut tread to correct length (**Fig 11**).

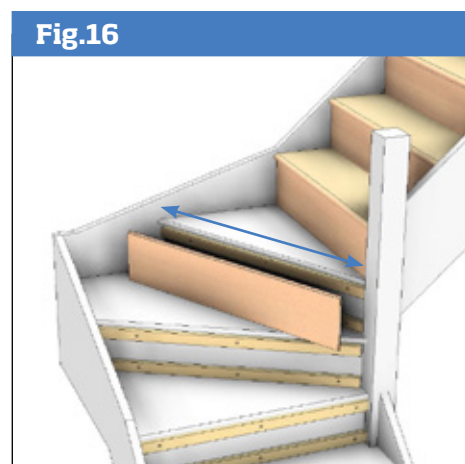
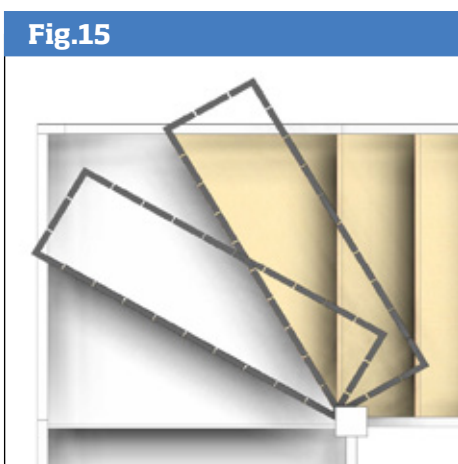
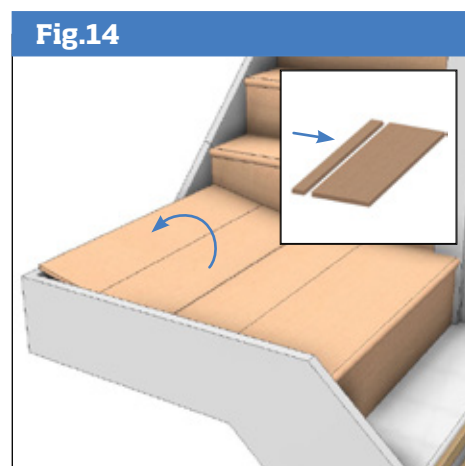
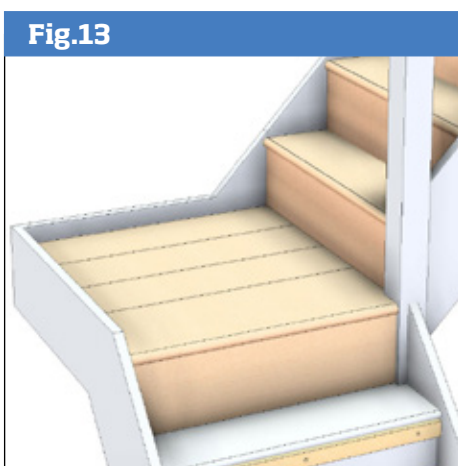
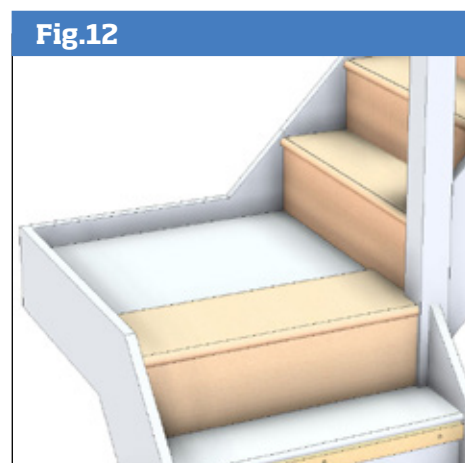
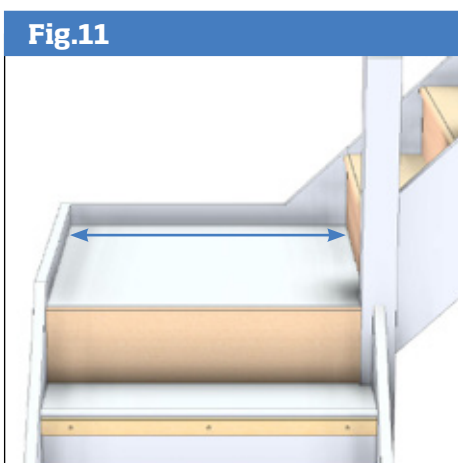
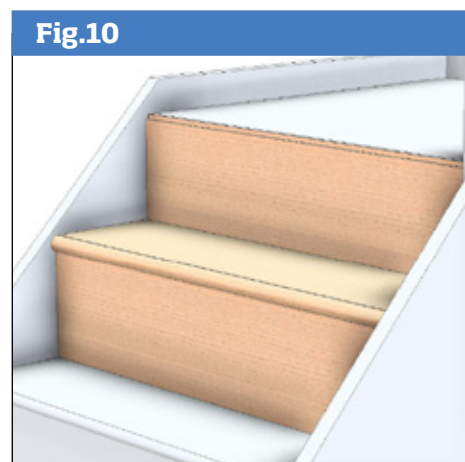
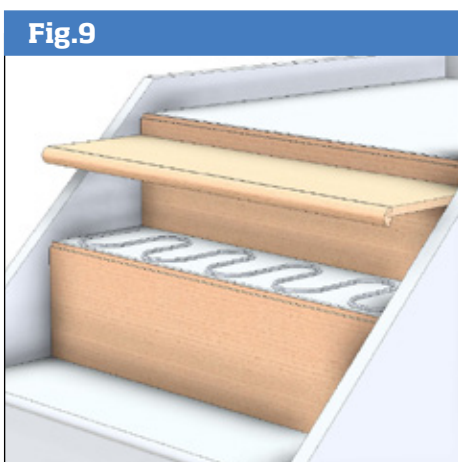
Measure size and location of any newel posts onto the tread and cut (**Fig 12**). Check fit.

Use Stairklad Extension Treads SCT13-0 (tongue and grooved) to extend the front tread and cover the quarter landing area. Cut required extension treads to length and check fit (**Fig 13**). Apply adhesive to landing area and press treads down into place. You may need to dry assemble the last 2 pieces then offer into position at an angle so the tongue locates into the groove when you rotate them down (**Fig 14**).

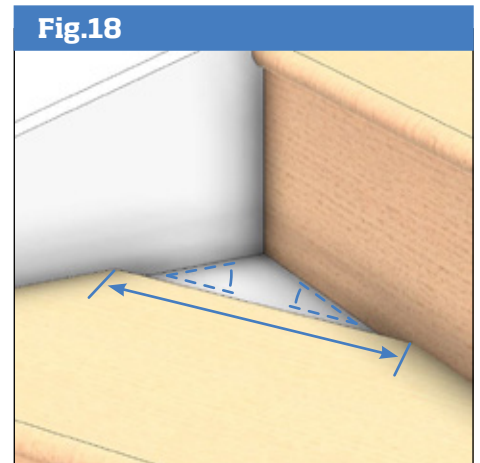
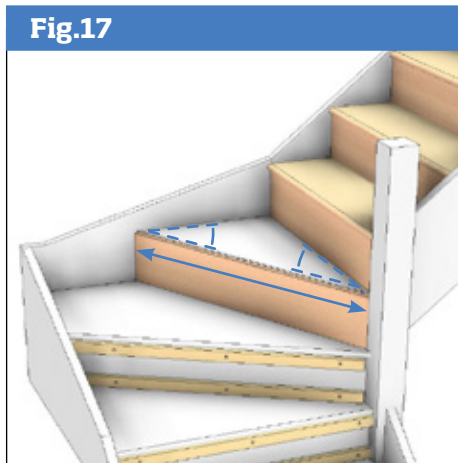
### Stairs with Winders

Measure the length of the top winder tread. If it is less than 1000mm, a standard kit (SCT10) can be used. If it is greater, please use SCT15 which has a longer tread and riser. For the next winder tread, even if the tread measures less than 1000mm, you may have to use a longer tread as back edge of tread may not fully reach the outside string due to the angle (**Fig 15**).

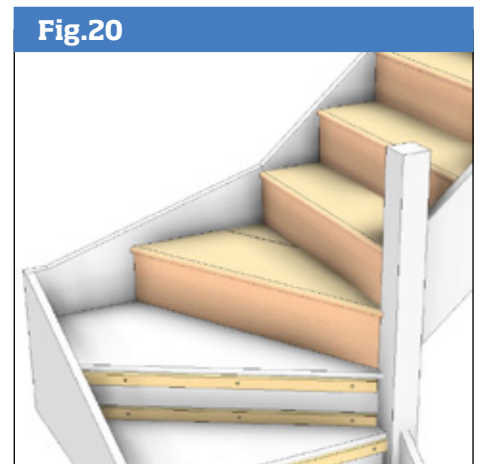
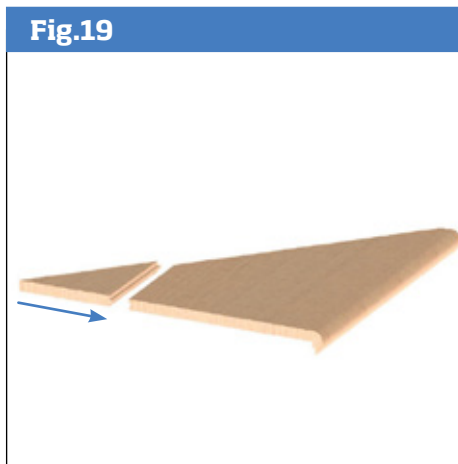
Cut riser to fit top winder step, apply adhesive and press firmly into position (**Fig 16**).



Measure the length of the tread and the angles at both ends (Fig 17). Transfer these measurements onto the Stairklad tread and cut tread. Offer cut tread into position to check fit. With the tread still in position, measure the triangular void that is left (Fig 18). Transfer these measurements onto a tread extension piece and cut to size. Slot the tongue on the extension piece into the groove in back of tread (Fig 19). Offer assembly into position to check fit then remove. Apply adhesive to top of winder step then offer tread and extension piece into position and press down firmly (Fig 20).



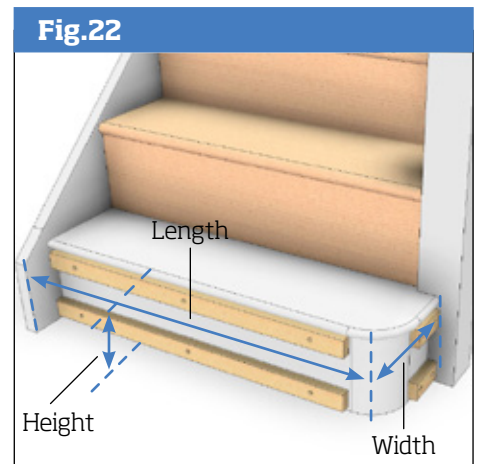
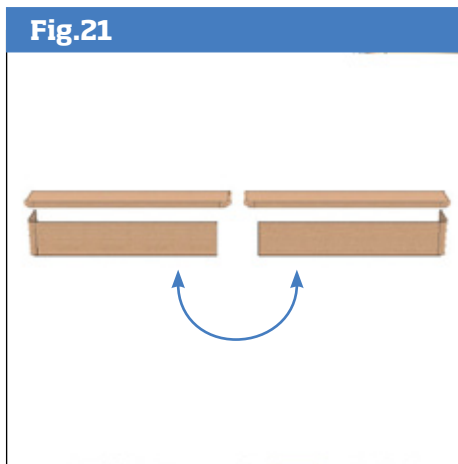
Repeat procedure for all winder steps, bearing in mind you may have to use the longer SCT15 as highlighted in (Fig 15).



### Stairs with Bullnose Step

The SCBNO Stairklad Bullnose Tread and Riser Kit consists of a tread and reversible riser making it compatible with left hand or right hand step configurations (Fig 21).

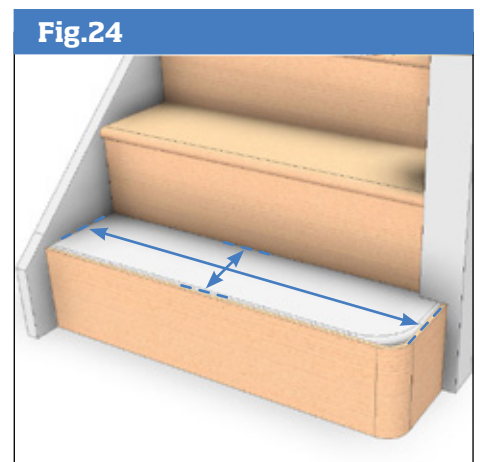
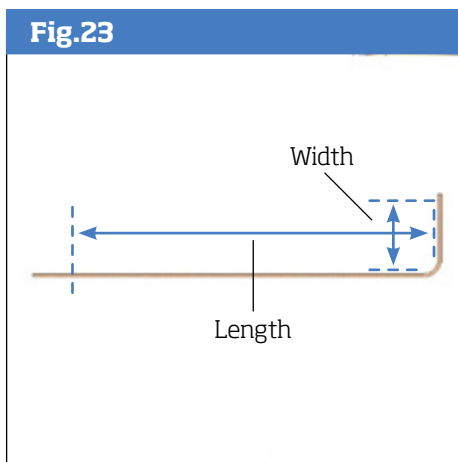
Apply packing strips as previously done. Measure length of step from string to edge of nosing protrusion. Measure width of tread from edge of nosing protrusion along front of tread to where it meets the bottom newel post (Fig 22).



Transfer these measurements to the riser, marking them from the inside edges of the riser (Fig 23).

Measure and cut riser to height ensuring riser is flush with top of tread. Check fit. Apply adhesive and secure in place (Fig 24).

For the tread, measure length from string to outside of riser and width from front of riser to front of riser (Fig 24).



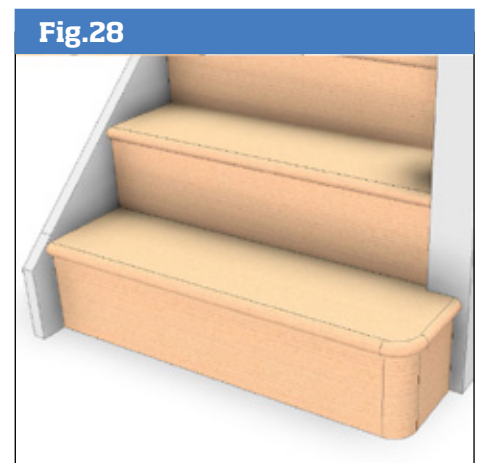
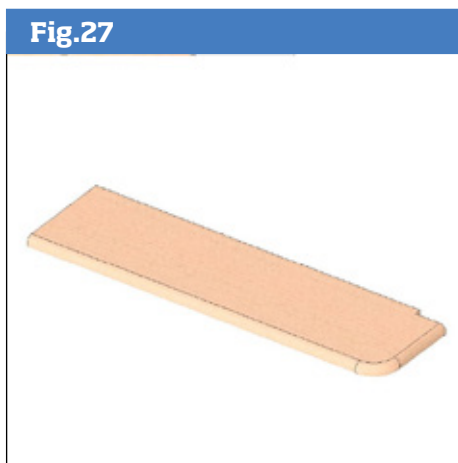
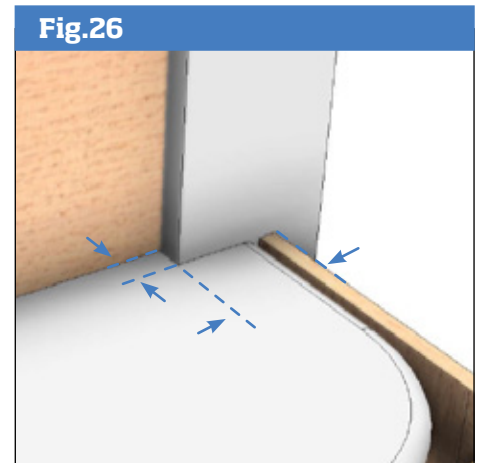
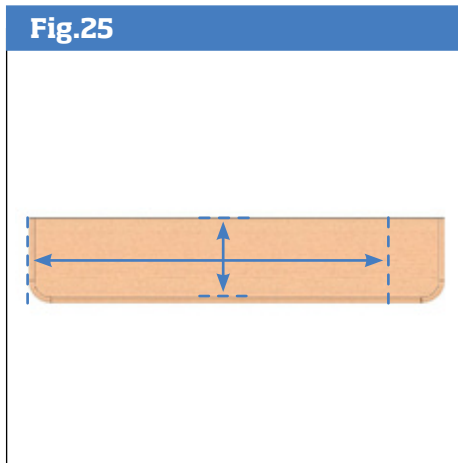
Transfer measurements to underside of step from the shoulder of the nosing, ensuring it is the correct orientation when turned over (**Fig 25**).

Measure any cut outs required for the tread to sit around the bottom newel post (**Fig 26**).

Transfer measurements to the bullnose tread and cut (**Fig 27**).

Check fit of bullnose tread on the stairs.

Apply adhesive to top of existing tread and offer Stairklad Bullnose Tread into position. Press down firmly (**Fig 28**).

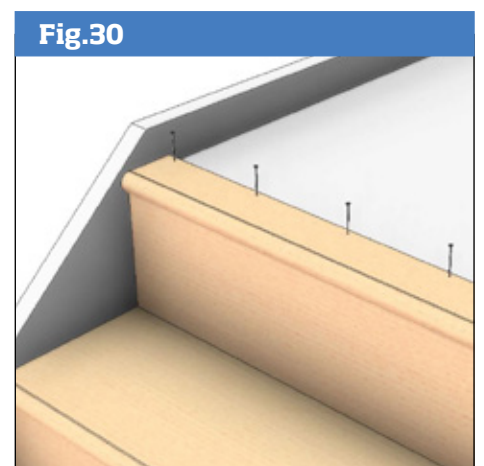
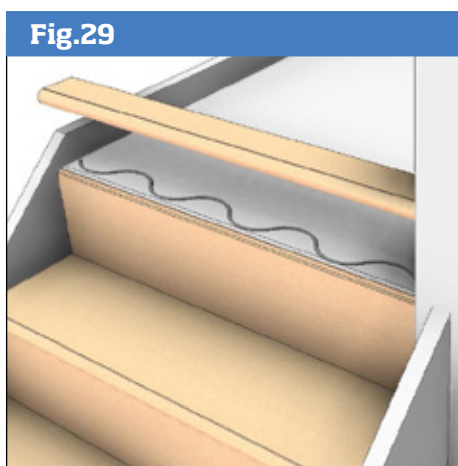


### Top Nosing

Cut top nosing/tread to length. Cut depth so it is flush with back face of newel post.

Apply adhesive and firmly push in place (**Fig 29**).

Apply secondary fix using nail gun applying a series of nails along the length (**Fig 30**). Ensure nails are punched below surface then fill using oak wood filler.



Establish type of flooring you wish to join cladding to then purchase appropriate threshold which will then bridge the join between the two types of flooring. **PLEASE NOTE - FOR SAFETY PURPOSES, PLEASE ENSURE THAT THIS DOES NOT BECOME A TRIP HAZARD.**

# Sign up for our NEW Trade App

## The App benefits from great features

- ☞ Place orders 24/7
- ☞ Search, scan and browse products from our full catalogue
- ☞ Create favourites and build shopping lists
- ☞ Check stock levels
- ☞ Receive the latest discounts and special promotions
- ☞ View your customer specific pricing
- ☞ Explore our media library
- ☞ All from your mobile or tablet device



## Download our Interactive **Wall Panel Collection Brochure**

Includes lots of new Clickable content



# Check out our huge **PRODUCT RANGE**

*We supply more than you think*



[www.cheshiremouldings.co.uk](http://www.cheshiremouldings.co.uk)



Technical Helpline:  
**Freephone**  
**0800 085 3475**

**Easy to install**

**Lacquered**

**Real oak veneer**

**Rounded front nosing**